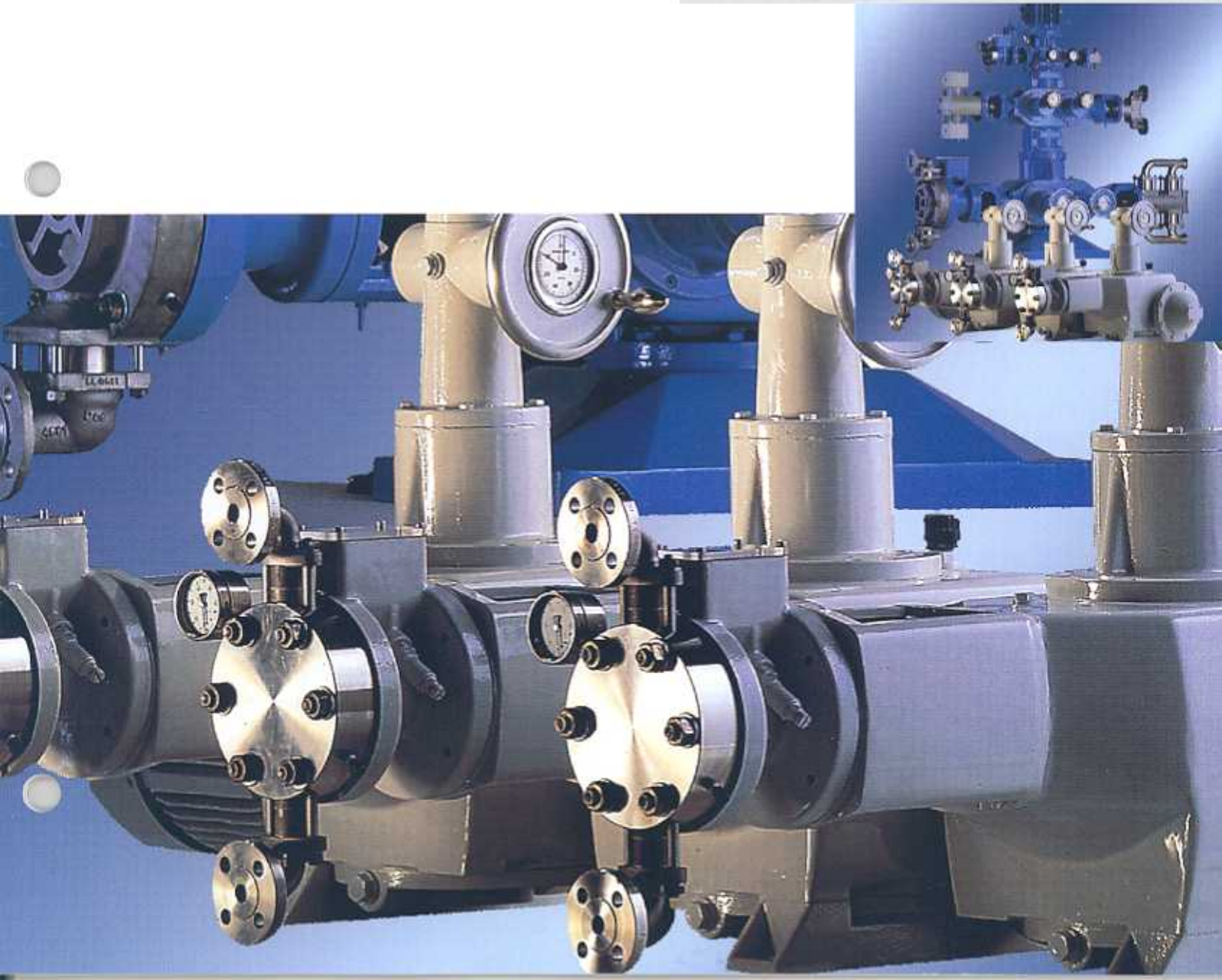




BRAN+LUEBBE

SPX Process Equipment

Novados Metering Pumps



NOVADOS – A selection of Metering pumps

Bran+Luebbe offers you an unrivaled range of metering pumps for practically every situation where liquids have to be metered and blended. The product range includes leakage-free diaphragm pumps as well as plunger pumps.



Metering pump type H2-31 with diaphragm pumphead and manual flow rate control

Applications

Industries

- Chemical Processing
- Food & Beverages
- Detergents
- Energy
- Environmental
- Oil & Gas
- Personal Care
- Petrochemical
- Pharmaceutical & Biotechnology
- Pulp & Paper
- Textile
- Water Treatment

Liquids

- From harmless to aggressive, toxic or hazardous
- From clean to slurries with up to 20% solids content
- From low to high viscosity up to 30,000 cps

Service

- **Standard metering**
of one component
- **Process metering**
of one component utilizing a multihead pump
- **Multi stream metering**
For recipe blending of different liquids



Metering pump type H4-41 with high pressure diaphragm pumphead and flow rate control via electric stroke length adjustment

Metering Pumps beyond compare

Common design features

- Gearboxes for single or multiplex construction, with highly efficient, heavy duty worm gear technology
- Individual stroke length adjustment mechanism with harmonic eccentric positive return crank drive utilizing the unsurpassed Z-shaped crankshaft
- Individual pumphead sizes allowing to build pumps with flow rates ranging from 0.1 gph up to 10,000 gph per pump-head
- Variety of options for flow rate control from manual to remote



Multiplex metering pump type H4-42 P42 with diaphragm pumpheads and flow rate control via individual electric stroke length adjustment



Metering pump type N-CS32C32J32 with a variety of different pumpheads and individual manual flow rate control

Advantages

Flexible

- Optimal capacity flexibility to widely varying production processes
- Variable stroke length for each pump allows independent adjustment of each component
- Variable speed drive allows flow rate variations while maintaining constant proportions

Economical

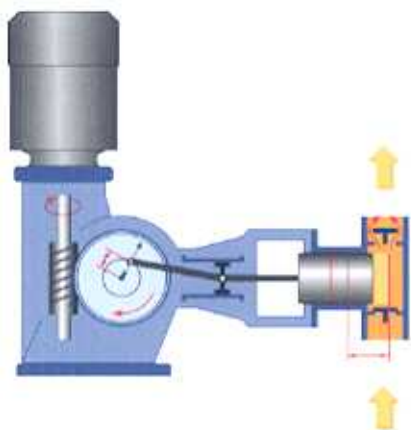
- Automation and accuracy allows for higher production efficiencies to be achieved

Adaptable

- Existing installations can be upgraded or expanded with extra pumps or automatic control

NOVADOS - Concept of the Br

Working principle of the metering pump



Metering pumps are normally composed of a motor, the metering pump gear and the pumphead.

The gear reduces the motor speed and converts the rotary motion into a reciprocating movement of a plunger in the pumphead and with a certain stroking speed.

The alternating operation of suction and discharge valves during the plunger stroke generates a flow of liquid.

Flow rate of a metering pump is basically defined by the number of stroke volumes per time unit.

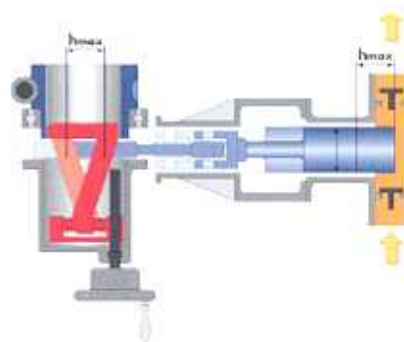
Simply effective: Flow rate adjustment by the Z-shaped crankshaft

Flow rate can be adjusted linearly and continuously between zero and maximum by altering the position of the eccentric (Z-Shape) crankshaft. This design allows adjustment while the pump is operating or at standstill. The stroke length can be set with a vernier indication of position in 0.02 mm increments (manual).

Bran+Luebbe metering pumps exceed the requirements of

API 675 in terms of metering accuracy, linearity and reproducibility. Metering accuracy can be as good as 0.5 %.

For a more detailed description please ask for a free copy of our CD-ROM: "The Function of the Bran+Luebbe Stroke Length Adjustment via Z-shaped crankshaft". Or visit our website www.spxprocessequipment.com.



Flow rate control via stroke length adjustment

Manual

- with integrated scale with 0.02 mm resolution

Electric servo motor

- directly operated
- with input signal 4...20 mA
- incl. explosion proof executions

Pneumatic

- directly operated
- with input signal 3...15 psi
- with input signal 4...20 mA



Metering pump type PSI with plastic diaphragm pumphead and flow rate control via pneumatic stroke length adjustment

Bran+Luebbe Metering Pumps

Diaphragm Metering Pumps

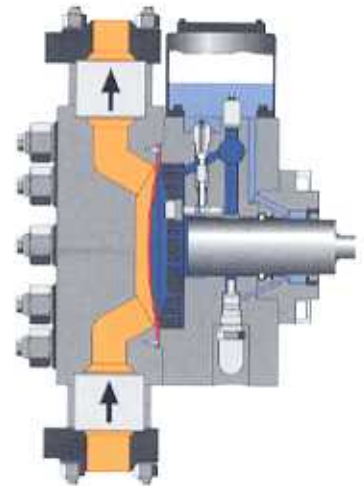
Patented diaphragm position control for maximum operating security

A leak-proof pump is the right choice whenever product purity and sterility are imperative or when toxic liquids must be handled.

Bran+Luebbe offers a wide range of hydraulically actuated diaphragm pumps. Flow rates range from as little as 0.1 gph up to 2700 gph and pressure as high as 15,000 psi. The patented positive diaphragm position control system (PDPC) ensures that the diaphragm cannot be damaged even under critical conditions such as a blocked pipe or closed valves upstream or downstream of the pump.

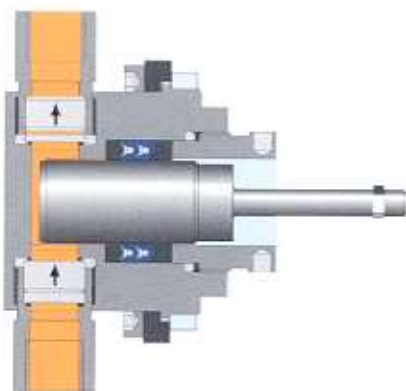
Bran+Luebbe's PDPC System allows for unobstructed flow through the pumphead, providing superior NPSHr characteristics and the ability to meter slurries and viscous fluids easily.

For a more detailed description please ask for a free copy of our CD-ROM: "The Function of the Diaphragm Metering Pumphead and the Patented Diaphragm Position Control". Or visit our website www.spx-processequipment.com.



Plunger Metering Pumps

The right choice for metering harmless or non-critical applications



Even though the design of plunger pumpheads is quite simple, these Bran+Luebbe pumps have outstanding performance. This is due to the Bran+Luebbe metering pump valves in combination with the high-precision metering gear.

For certain applications it is possible to use double-acting pumpheads that allow to pump roughly two times as much fluid.

Flow rates range from 0.02 gph up to 10,000 gph and pressure as high as 15,000 psi.

Advantages

- Metering accuracy as good as +/- 0.5% due to precise construction and design
- Versatility with vertical and horizontal combinations
- Wide range of possibilities for controls and automation
- Harmonic flow rate pattern for all stroke settings due to z-shaped positive return crankshaft
- Leak-free metering of liquids due to double diaphragm pumpheads with hydraulic diaphragm actuation
- Flow rates per pumphead from 0.02 gph up to 10,000 gph
- Pressure up to 15,000 psi

NOVADOS - Solutions for num

Options to suit specific applications

Pumphead selections

- **Double diaphragm** with hydraulically actuated diaphragms or **Plunger** or **piston** with
 - heating or cooling jackets even incl. valves
 - quick-change valves
 - remote valves
 - optimized flow channels for slurries or viscous fluids
 - sanitary design

Materials of construction for liquid-wetted parts of the pump

- Housings of Stainless steel 316 or Duplex
- Alternatively PVC, PP, PVDF or stainless steel lined with HALAR (E-CTFE)
- Diaphragms of PTFE or stainless steel
- Plungers of 316 ss, ceramic, tungsten carbide
- Valve of stainless steel or plastic, hard metals and exotic materials
- Practically all exotic materials such as Hastelloy, Titanium, Stellite etc. are available as well

Valve designs

- Ball valves (single, double or triple)
- Cone valves with or without spring
- Plate valves
- Pneumatically or mechanically actuated valves



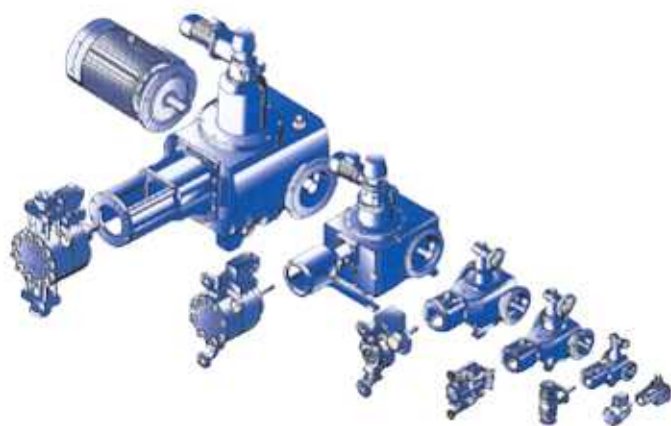
Triplex process metering pump type BS43 with diaphragm pumphead and flow rate control via electric stroke length adjustment

erous requirements

Horizontal and Vertical Combinations

Bran+Luebbe is the only manufacturer of metering pumps worldwide to offer both combinations, horizontal and vertical. Possible equipment combinations range

from simplex pumps for one stream of liquid to multiplex pumps with up to 20 different streams, each of which can be controlled independently.

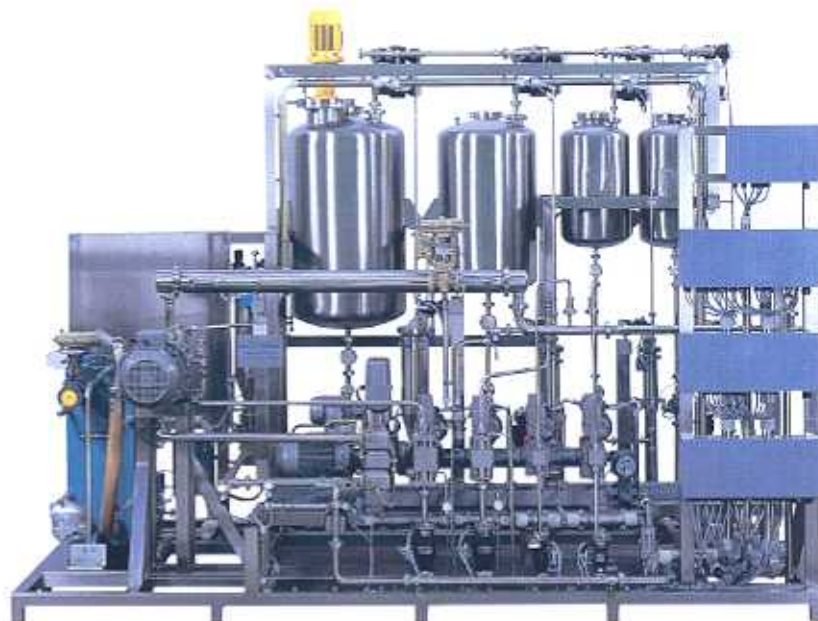


AutoBlend

AutoBlend is the brand name of Bran+Luebbe turn-key metering & blending systems for the production of high-value products using liquids, pastes and powders.

Our dedicated systems engineers develop the best possible solution for your needs, either from our extensive range of standard systems or individually designed and manufactured to your specification.

For more details please ask for the specific AutoBlend brochure.



Bran+Luebbe metering and mixing system for continuous production of high quality body lotion.

Global Headquarters: SPX Process Equipment, Delavan, WI USA

How To Contact Us

For technical details on products and services available from SPX Process Equipment, contact us at:

Email: info@processequipment.spx.com
or visit us at www.spxprocessequipment.com



Bran+Luebbe, Norderstedt, Germany

Werkstraße 4
D-22844 Norderstedt Germany
Phone: +49 (0) 40 - 522 02-0
Fax: +49 (0) 40 - 522 02-444

Bran+Luebbe Delavan, WI

611 Sugar Creek Rd.
Delavan, WI 53115
Phone: 1-888-917-PUMP
Phone: 262-728-1900
Fax: 262-740-6360

LIGHTNIN Rochester, NY

135 Mt. Read Blvd
Rochester, NY 14611
Phone: 1-888-MIX-BEST
Phone: 585-436-5550
Fax: 585-527-1742

Waukesha Cherry-Burrell Delavan, WI

611 Sugar Creek Rd.
Delavan, WI 53115
Phone: 1-800-252-5200
Phone: 262-728-1900
Fax: 262-728-4904

Your Local Contact

