

C-SERIES MOUVEX PRINCIPLE

ECCENTRIC DISC PUMPS

No Mechanical Seals

Seal free means leak free. Designed without mechanical seals, packing or magnets, the C-Series eliminates leakage and reduces maintenance time.

No Expensive Magnets

The C-Series pumps are direct coupled to the gear reduction unit or motor. No magnets are required.

Clean-In-Place Capability

The C-Series is designed to be flushed and cleaned in place without disassembly.

Ideal for Sanitary Applications

The stainless steel models are ideal for sanitary applications, carry 3A approval certification and are designed per EHEDG (European Hygienic Equipment Design Group) recommendations.



C-Series Mouvex Principle Eccentric Disc Pumps

Gentle and Efficient

Shear sensitive materials are safe when pumped with the C-Series. The unique eccentric disc concept provides gentle handling and high-volume efficiency.

Performance When It Counts

Capable of handling 3000 Cst (14000 SSU) liquids and working pressures of 5-9 Bar (72.5-130 psi), depending on the model, the C-Series will clear intake and discharge lines of residual material. Rated to 80°C (176°F) the C-Series provides extraordinary self-priming and limited dry-run capability as added benefits.

Application Versatility

The innovative C-Series pumps are designed to meet a wide variety of industrial applications:



Chemicals
Fine Chemicals



Pharmaceuticals
Cosmetics



Agrochemicals



Papermaking



Petrochemicals

Construction



Stainless Steel

Bellows:	316 Stainless Steel	Flanges:	SMS
Rings:	Viton®		ANSI Compatible
	Encapsulated Teflon®		DIN
	FDA Viton®		Clamp
			Cherry Burrel
			Optional Heating Jacket

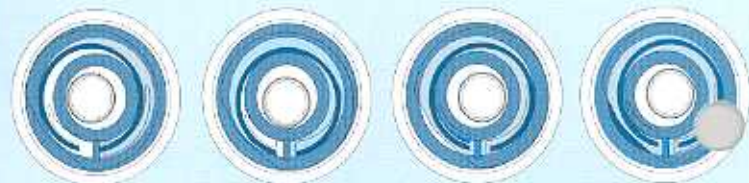
© Viton and Teflon are trademarks of the E.I. DuPont Company



Ductile Iron

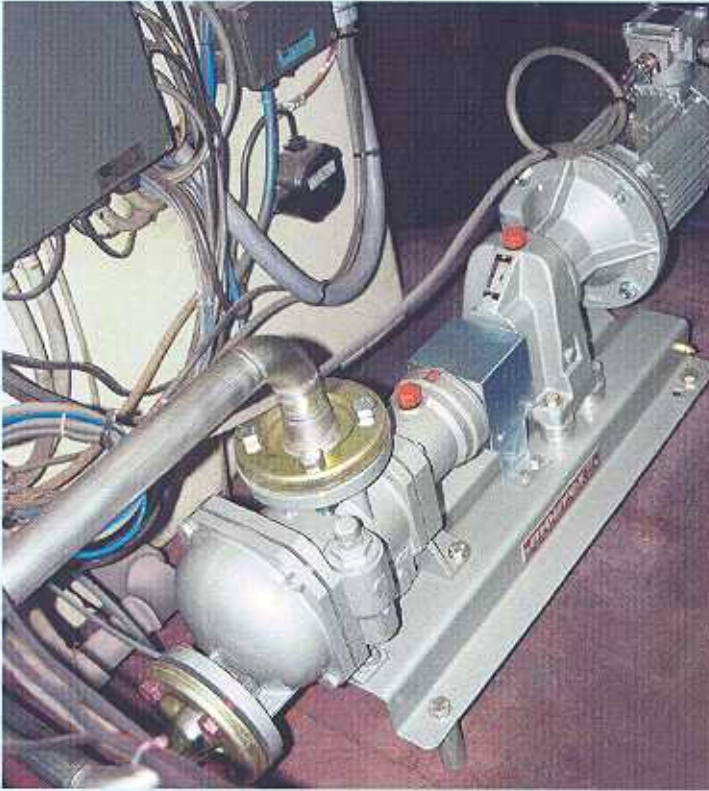
Bellows:	316 Stainless Steel
Rings:	Viton®
Flanges:	ANSI Compatible
	Optional Heating Jacket

The Mouvex Principle Eccentric Disc



Clear plexiglass body for illustration only

Installation



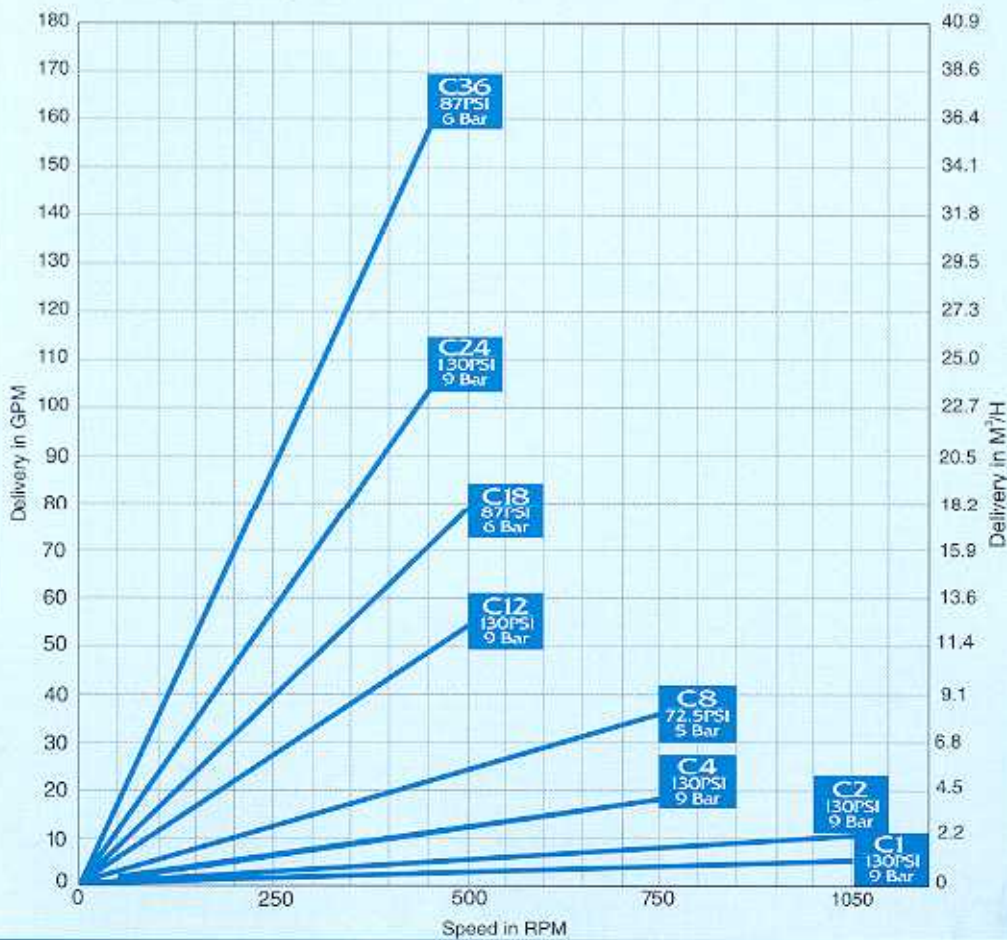
Ductile Iron C-Series Pump



Stainless Steel C-Series Pump

Performance Data

10 Cst (45 SSU) Viscosity Characteristics At Pressures Shown



C-SERIES MOUVEX PRINCIPLE ECCENTRIC DISC PUMPS

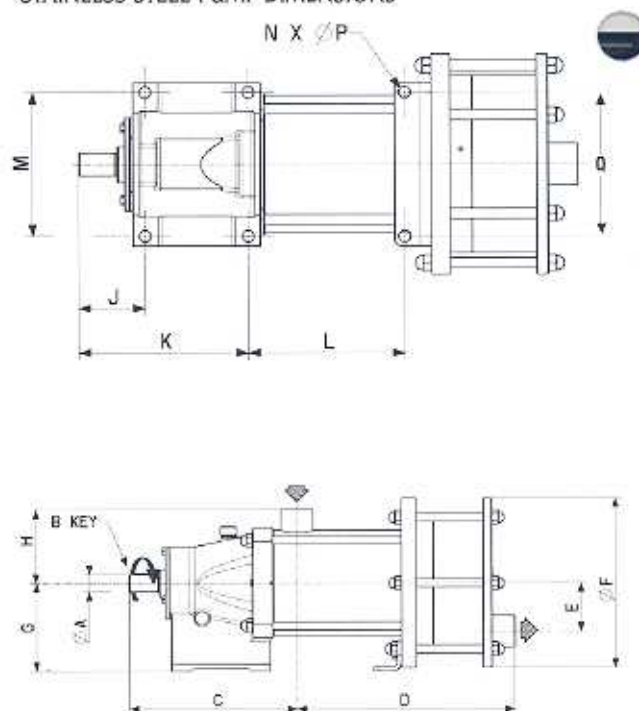
STAINLESS STEEL MODELS

	C11		C21		C41		C81		C121		C181		C241		C361	
	IN	MM	IN	MM	IN	MM	IN	MM	IN	MM	IN	MM	IN	MM	IN	MM
A	-	19	-	19	-	20	-	20	-	35	-	35	-	36	-	38
B	-	6	-	6	-	6	-	6	-	10	-	10	-	10	-	10
C	6.38	162	6.38	162	9.18	233	9.18	233	12.25	310.5	12.25	310.5	13.60	345.5	13.60	345.5
D	9.29	236	9.82	249.5	10.12	257	10.81	274	16.87	428	17.62	447.5	21.00	533.5	22.10	561.5
E	2.09	53	2.09	53	2.43	62	2.43	62	3.81	96.5	3.81	96.5	4.76	121	4.76	121
F	7.72	196	7.72	196	9	228	9	228	13.31	337	13.31	337	15.55	395	15.55	395
G	4.13	105	4.13	105	4.75	120	4.75	120	6.87	175	6.87	175	8.82	224	8.82	224
H	4.15	106.5	4.15	106.5	3.93	99	3.93	99	5.81	146.5	5.81	146.5	8.46	215	8.46	215
J	-	-	-	-	-	-	-	-	4	101	4	101	5.06	128.5	5.06	128.5
K	3.76	95.5	3.76	95.5	5.93	150	5.90	150	6.18	157	6.18	157	9.35	237.5	9.35	237.5
L	5.18	131.5	5.18	131.5	6.56	167	6.56	167	9.37	238	9.37	238	12.81	325.5	12.81	325.5
M	4.33	110	4.33	110	6	152	6	152	8.68	220	8.68	220	8.27	210	8.27	210
N	-	4	-	4	-	4	-	4	-	6	-	6	-	6	-	6
P	.39	10	.39	10	.56	14	.56	14	.75	18	.75	18	.70	18	.70	18
Q	-	-	-	-	-	-	-	-	-	-	-	-	11.02	280	11.02	280

STAINLESS STEEL MODELS WEIGHT

	C11		C21		C41		C81		C121		C181		C241		C361	
	LB	KG	LB	KG	LB	KG	LB	KG	LB	KG	LB	KG	LB	KG	LB	KG
	56	21	59	22	84	38	90	41	254	115	265	120	407	185	442	200

STAINLESS STEEL PUMP DIMENSIONS



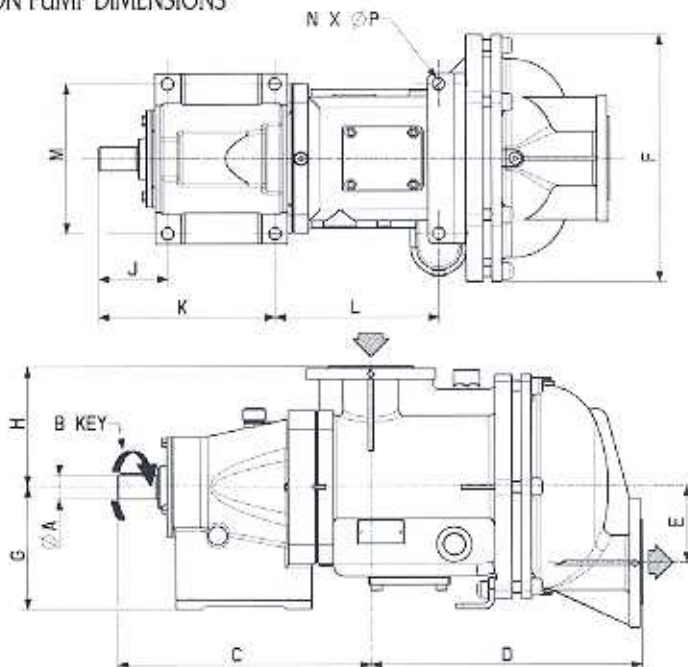
DUCTILE IRON MODELS

	C4A		C8A		C12A		C18A	
	IN	MM	IN	MM	IN	MM	IN	MM
A	-	20	-	20	-	35	-	35
B	-	6	-	6	-	10	-	10
C	9.18	233	9.18	233	12.25	310.5	12.25	310.5
D	9.56	242	10.18	259	15.12	384	15.12	384
E	2.62	67	2.62	67	4.31	109	4.31	109
F	10	254	10	254	14.31	363	14.31	363
G	4.75	120	4.75	120	6.87	175	6.87	175
H	5	127	5	127	6.81	172	6.81	172
J	-	-	-	-	4	101	4	101
K	5.93	150	5.93	150	6.18	157	6.18	157
L	6.81	172	6.81	172	9.43	239	9.43	239
M	6	152	6	152	8.68	220	8.68	220
N	-	4	-	4	-	6	-	6
P	.562	14	.562	14	.75	18	.75	18

DUCTILE IRON MODELS WEIGHT

	C4A		C8A		C12A		C18A	
	LB	KG	LB	KG	LB	KG	LB	KG
	95	43	101	46	254	115	265	120

DUCTILE IRON PUMP DIMENSIONS



Distributed by:

blackmer
PEOPLE PROVIDING FLOW TECHNOLOGY WORLDWIDE.

US Patent 5,983,738

A DOVER COMPANY

These specifications are subject to change without notice. 11/99

1809 Century Avenue, Grand Rapids, MI 49503-1530 U.S.A. • Telephone: 616.241.1611 • Fax: 616.241.3752 • www.blackmer.com
ZI La Plaine des Isles, rue des Caillottes, 89000 Auxerre, France • Téléphone: +33.3.86.49.86.30 • Télécopieur: 33.3.86.46.42.10

